



5K-2P-N

WIRING DIAGRAMS

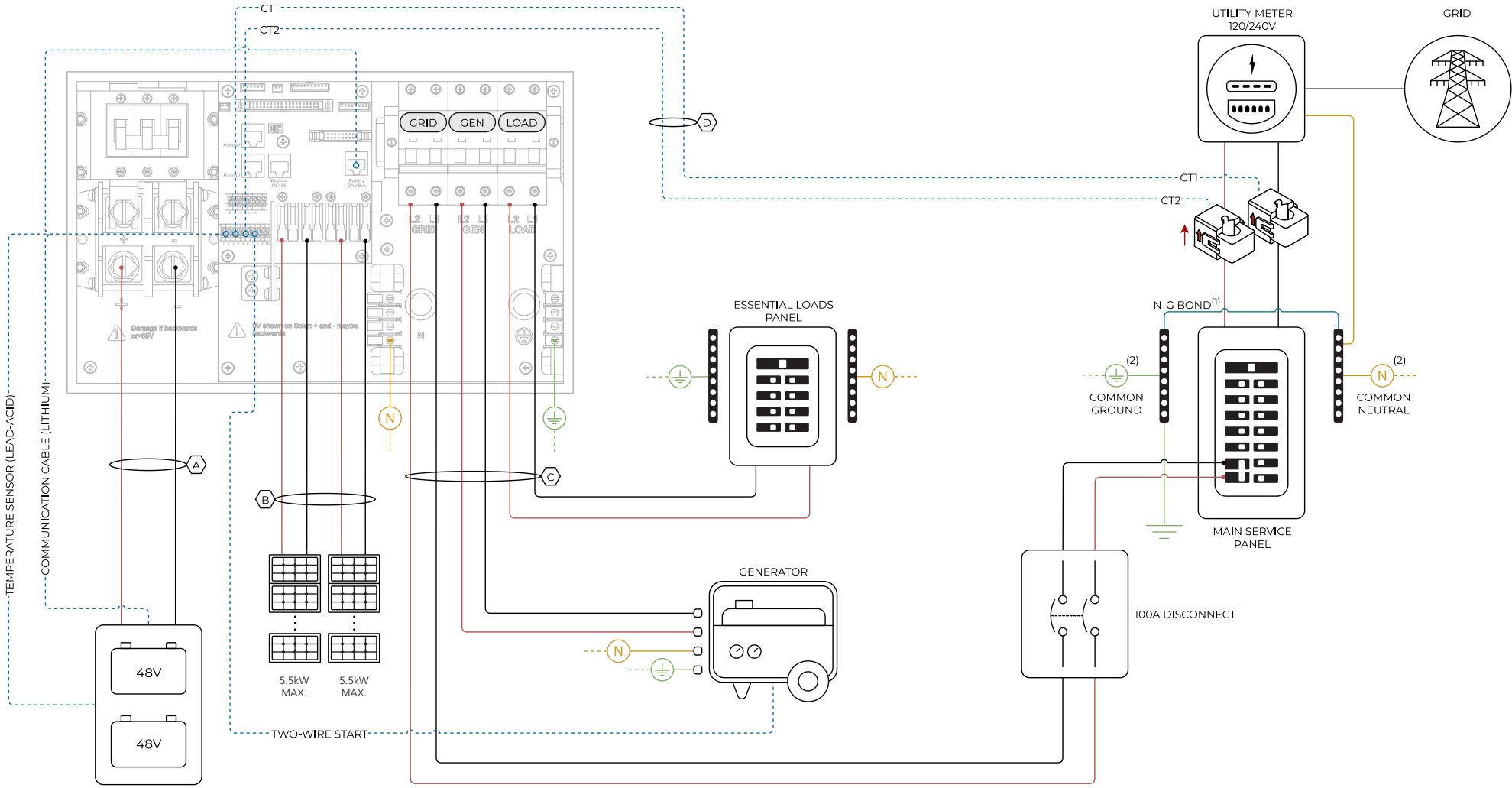




DISCLAIMER

The following diagrams are general use cases. Installers are reminded that adherence to local electrical codes and regulations is mandatory. While these diagrams offer general guidance, they may not encompass all variations and specifics required by local codes. Consult with relevant authorities and ensure compliance before proceeding with any installation. The diagrams presented herein are not exhaustive and should not be relied upon solely for permitting or warranty verification. Installers are encouraged to exercise caution, seek professional advice when necessary, and undertake installations with due diligence and in accordance with established electrical standards and regulations.

Standard Wiring Diagram



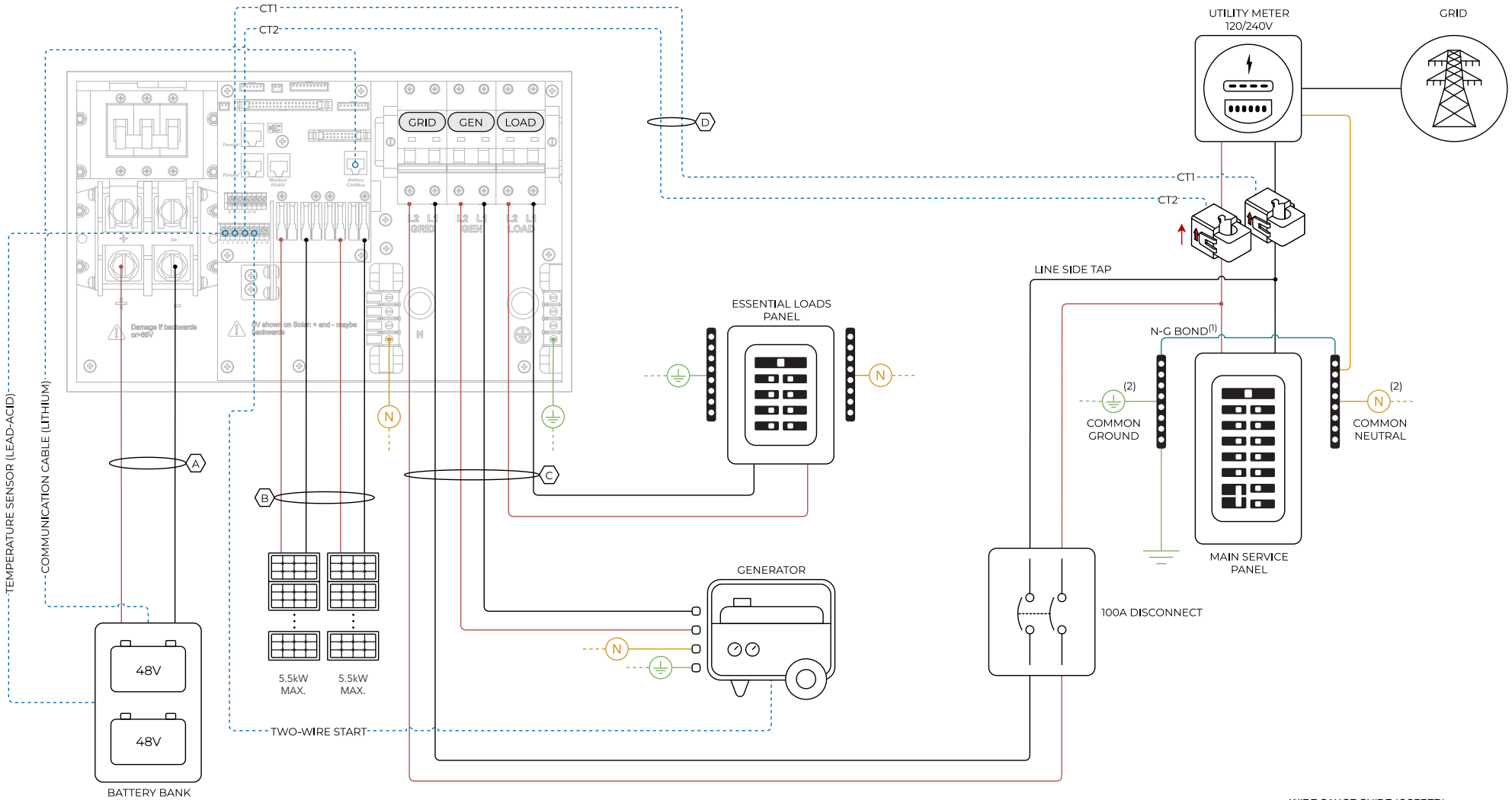
█ L1 - (AC) NEGATIVE - (DC)
 █ L2 - (AC) POSITIVE - (DC)
 █ NEUTRAL
 █ GROUND
 █ SENSORS / COMMUNICATIONS

(1) LOCATION OF THE NEUTRAL-GROUND BOND WILL DEPEND ON LOCAL CODE
 (2) THESE SYMBOLS REPRESENT A COMMON NEUTRAL / GROND CONNECTION. **DO NOT** CONFUSE WITH GROUNDING ROD

WIRE GAUGE GUIDE (COPPER)

LABEL	CONDUCTOR
A	MAX. 4/0 AWG
B	MAX. 10 AWG
C	MAX. 4 AWG
D	24 - 23 AWG CAT6

Standard Wiring Diagram - Line Side Tap



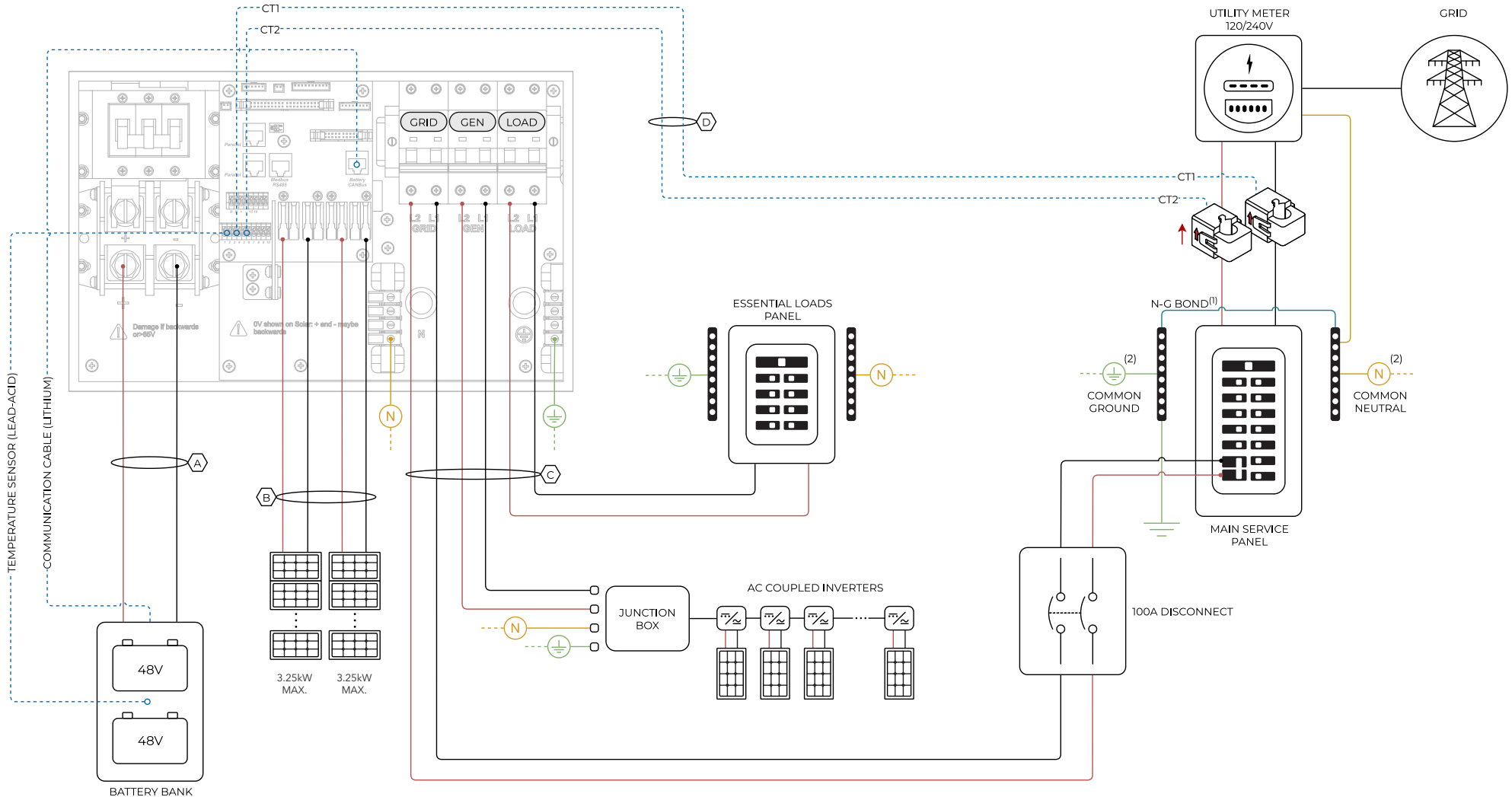
■ L1 - (AC) NEGATIVE - (DC)
 ■ L2 - (AC) POSITIVE - (DC)
 ■ NEUTRAL
 ■ GROUND
 ■ SENSORS / COMMUNICATIONS

(1) LOCATION OF THE NEUTRAL-GROUND BOND WILL DEPEND ON LOCAL CODE
 (2) THESE SYMBOLS REPRESENT A COMMON NEUTRAL / GROND CONNECTION. DO NOT CONFUSE WITH GROUNDING ROD

WIRE GAUGE GUIDE (COPPER)

LABEL	CONDUCTOR
A	MAX. 4/0 AWG
B	MAX. 10 AWG
C	MAX. 4 AWG
D	24 - 23 AWG CAT6

Standard Wiring Diagram - AC Coupling in GEN



— L1 - (AC) NEGATIVE - (DC)
 — L2 - (AC) POSITIVE - (DC)
 — NEUTRAL
 — GROUND
 — SENSORS / COMMUNICATIONS

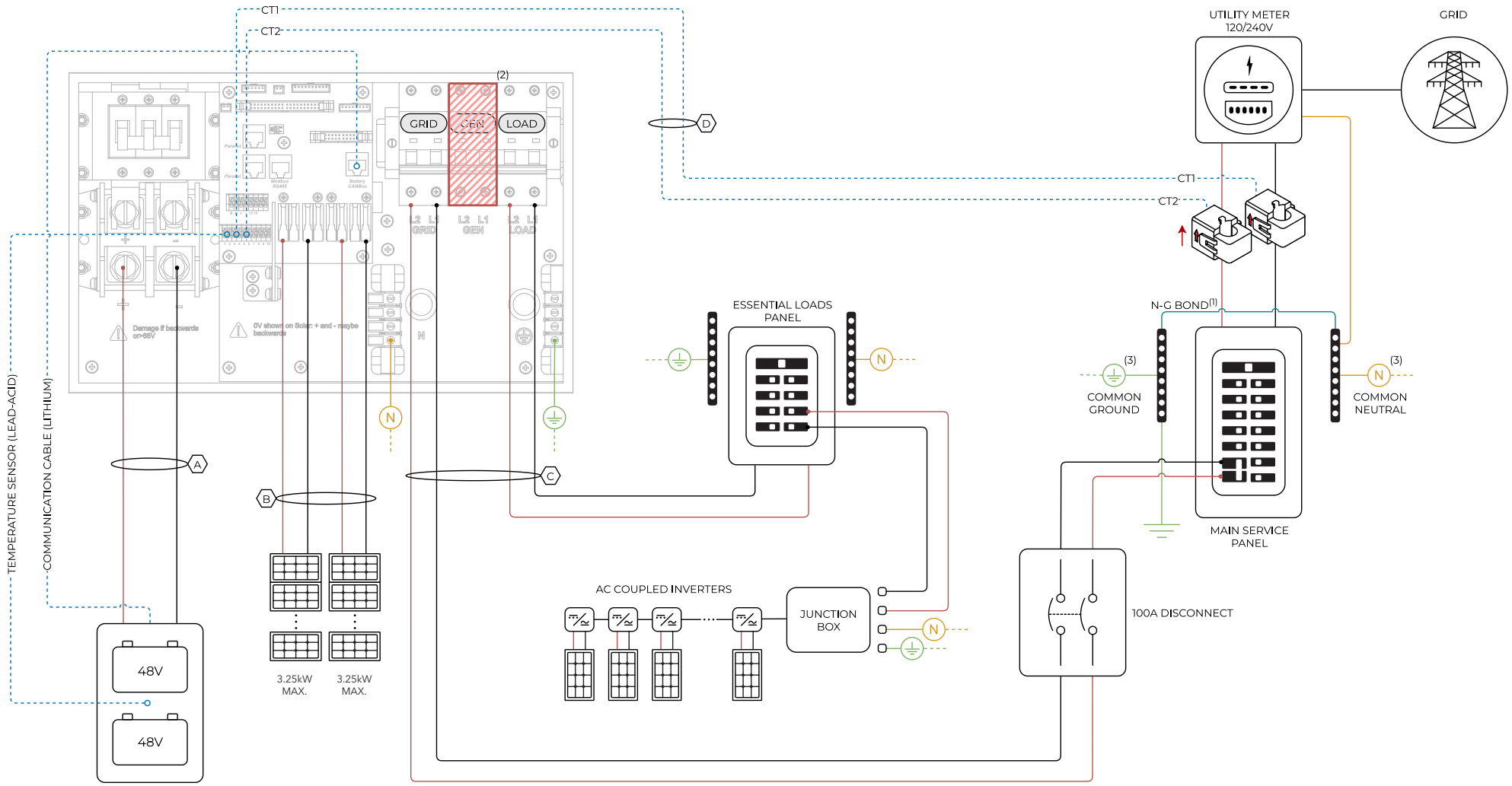
(1) LOCATION OF THE NEUTRAL-GROUND BOND WILL DEPEND ON LOCAL CODE
 (2) THESE SYMBOLS REPRESENT A COMMON NEUTRAL / GROND CONNECTION. **DO NOT** CONFUSE WITH GROUNDING ROD



WIRE GAUGE GUIDE (COPPER)

LABEL	CONDUCTOR
A	MAX. 4/0 AWG
B	MAX. 10 AWG
C	MAX. 4 AWG
D	24 - 23 AWG CAT6

Standard Wiring Diagram – AC Coupling in LOAD



— L1 - (AC) NEGATIVE - (DC)
 — L2 - (AC) POSITIVE - (DC)
 — NEUTRAL
 — GROUND
 — SENSORS / COMMUNICATIONS

- (1) LOCATION OF THE NEUTRAL-GROUND BOND WILL DEPEND ON LOCAL CODE
- (2) "GEN" BREAKER CANNOT BE USED
- (3) THESE SYMBOLS REPRESENT A COMMON NEUTRAL / GROND CONNECTION. **DO NOT** CONFUSE WITH GROUNDING ROD



WIRE GAUGE GUIDE (COPPER)

LABEL	CONDUCTOR
A	MAX. 4/0 AWG
B	MAX. 10 AWG
C	MAX. 4 AWG
D	24 – 23 AWG CAT6

Diagram 04

Standard Wiring Diagram - Whole-Home Generator

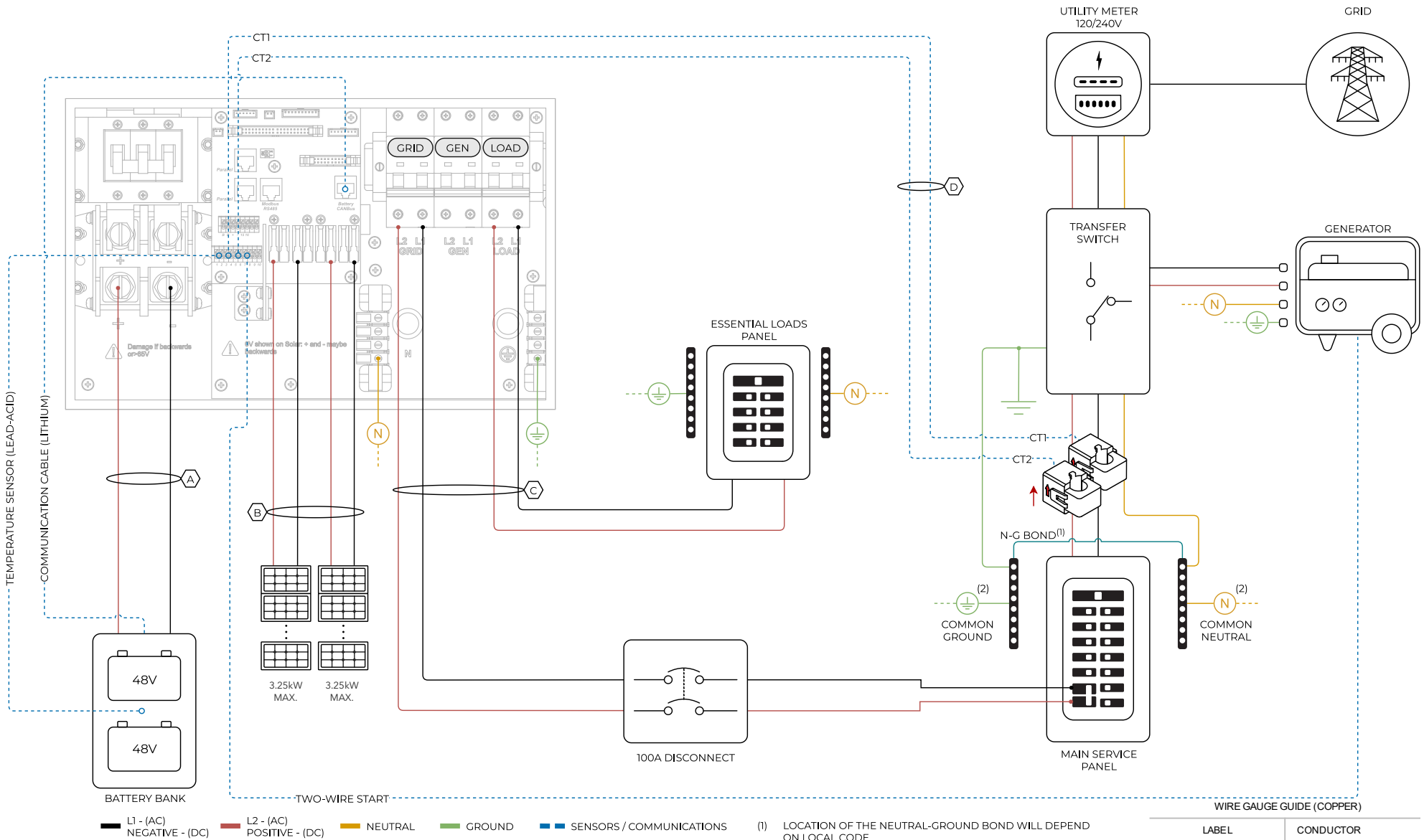
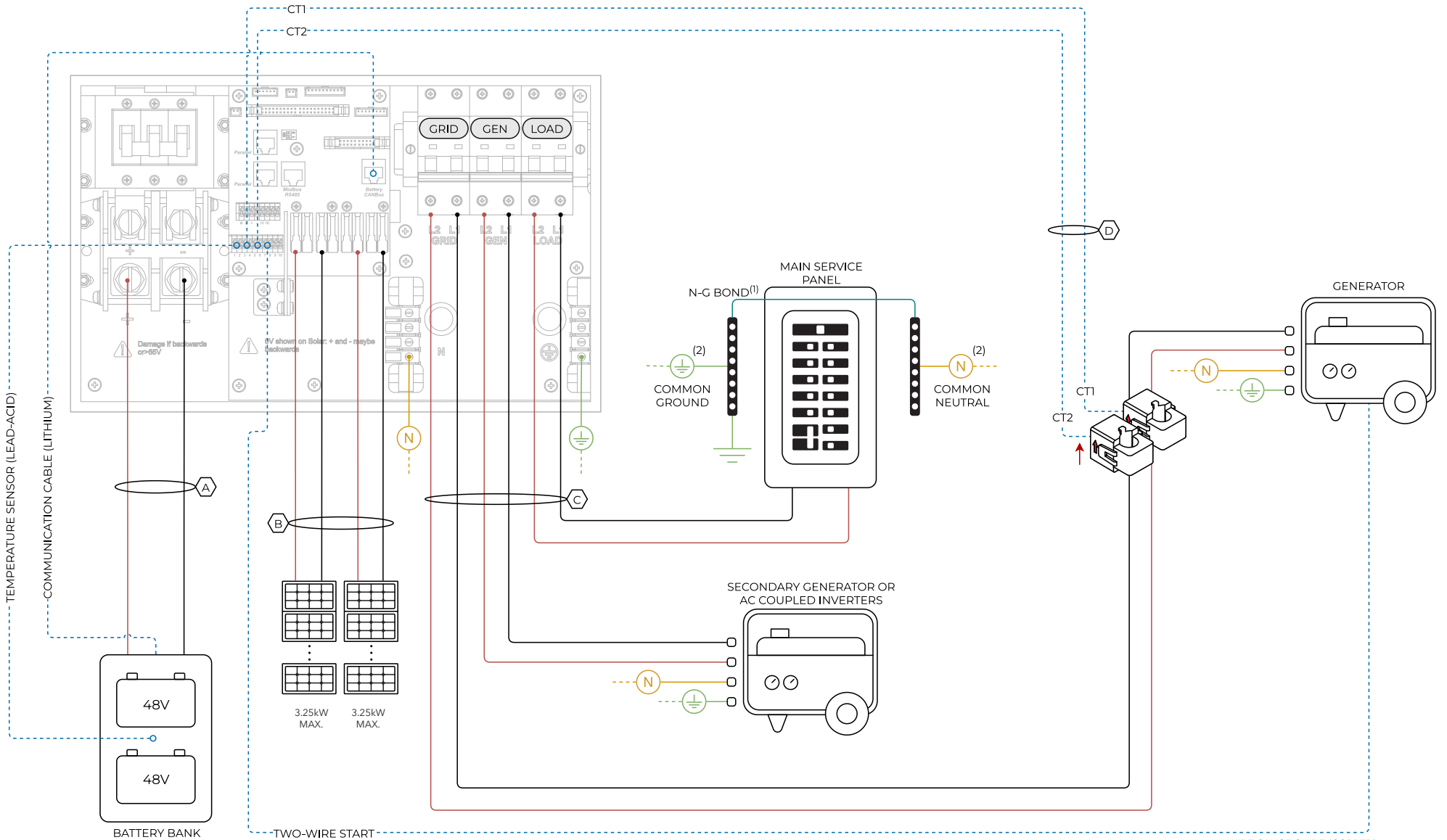


Diagram 05

Standard Wiring Diagram - Off Grid



— L1 - (AC) NEGATIVE - (DC)
 — L2 - (AC) POSITIVE - (DC)
 — NEUTRAL
 — GROUND
 — SENSORS / COMMUNICATIONS

(1) LOCATION OF THE NEUTRAL-GROUND BOND WILL DEPEND ON LOCAL CODE
 (2) THESE SYMBOLS REPRESENT A COMMON NEUTRAL / GROND CONNECTION. **DO NOT** CONFUSE WITH GROUNDING ROD

WIRE GAUGE GUIDE (COPPER)

LABEL	CONDUCTOR
A	MAX. 4/0 AWG
B	MAX. 10 AWG
C	MAX. 4 AWG
D	24 -23 AWG CAT6

Diagram 06