



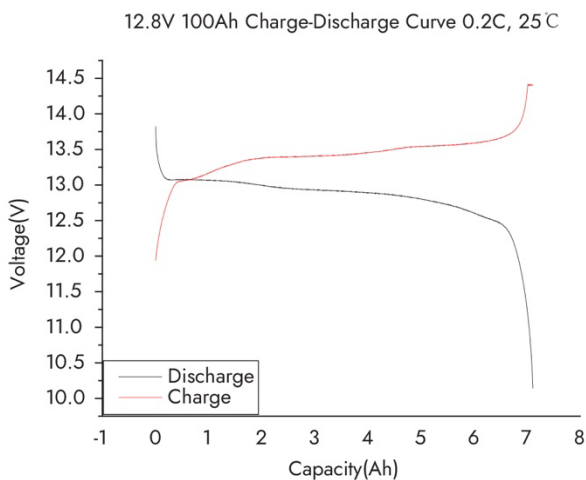
BSL Series
B-LFP12-100
For Lead Acid, GEL or AGM

PRODUCT FEATURES

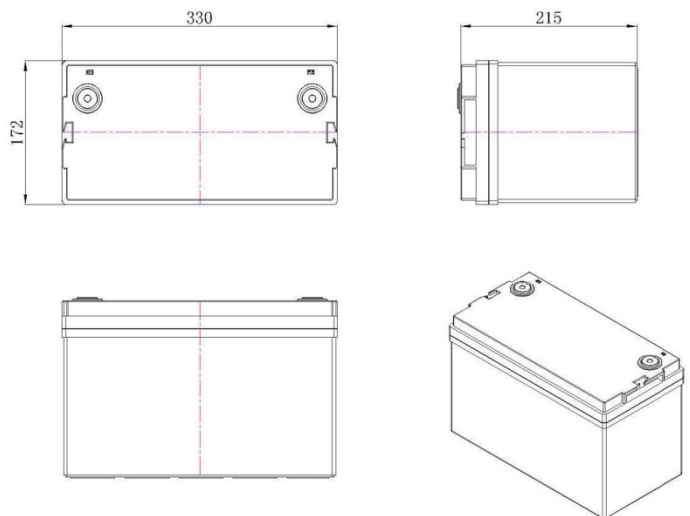
Designed for your solar, RV and marine applications, BSLBATT's 12V 1280 Wh lead reformed battery lasts four times longer than lead-acid batteries and is maintenance-free, lightweight and simple to operate.

Our B-LFP12-100 is equipped with the industry's leading brand of LFP batteries, the safest lithium battery chemistry available today. So it's ideal for deep cycle applications such as trolling motors, RVs or boating that require large amounts of power for long periods of time.

CHARGE AND DISCHARGE CURVE



DIMENSION



Battery Model
B-LFP12-100

Nominal Voltage	12.8 V
Typical Capacity	100 ± 1.5 Ah(At 0.5C discharge rate)
Energy	1280 Wh

Discharge

Working Current	50 A
Maximum Pulse Current	100 A
Cut-off Voltage	About 10 V

Charge

Voltage	14.4 ± 0.1 V
Working Current	0.5 C
Max Charging Current	≤ 100 A
Charge Mode	CC/CV, please use special lithium charger
Charging Cut-off Current	About 2 A

Operation Temperature

Charge	0°C ~ +55°C
Discharge	-20°C ~ +60°C

Additional Data

Storage Temperature	-20°C ~ +45°C
Discharging Inner Resistance	≤ 60 mΩ
Protection Function	Overcharge, over-discharge, over-current, short circuit and other protection functions
Output Mode	M8 Terminal
Shell Material	ABS+PC
Weight	10.5 ± 0.5 Kg
Dimension (L*W*H)	330*172*215 (±2) mm
Modules In Series	4
Cycle	≥5000, 80%DOD (0.2C, 25°C)

Note: Parameters can be adjusted according to customer requirements



Facebook



LinkedIn



Tiktok



Instagram



Youtube



Drop-in Replacement



Tier One, A+ LiFePO4 Cell Composition



5 Years Warranty Guarantee



Smart Hardware & Software Design



Long Service Life



Eco-Friendly